

Contents

1. Description
 - 1.1 Principle of an autoMACS® Separation
 - 1.2 Applications
2. How to connect
3. Volumes required

Warnings

Reagents contain sodium azide. Under acidic conditions sodium azide yields hydrazoic acid, which is extremely toxic. Azide compounds should be diluted with running water before discarding. These precautions are recommended to avoid deposits in plumbing where explosive conditions may develop.

1. Description

This product is for research use only.

Components	6× 1.5 L autoMACS® Running Buffer
Capacity	For up to 30 autoMACS Programs, corresponds to up to 15 autoMACS Separations per bottle.
Product format	autoMACS Running Buffer (pH 7.2) contains phosphate buffered saline (PBS), bovine serum albumin (BSA), EDTA, and 0.09% azide.

This solution is sterile-filtered.

Storage Store protected from light at room temperature. The expiration date is indicated on the bottle label.

After opening the autoMACS Running Buffer should be stored refrigerated (2–8 °C) and used within 3 days.

1.1 Principle of an autoMACS® Separation

autoMACS® Instruments are designed for automated magnetic sorting of cell samples employing MACS® Technology. Prior to usage the autoMACS Pro Separator is primed with MACS Separation Buffer (autoMACS Running Buffer). Then, a magnetically labeled cell sample is applied to the instrument and the appropriate cell separation program is chosen. The cell separation process is performed automatically and proceeds as follows. The cell sample is loaded on the autoMACS Separation Column, which is placed in the magnetic field of the autoMACS Magnet. The magnetically labeled cells are retained within the column. The unlabeled cells are eluted as the negative fraction. Then, the magnet is retracted automatically from the column and the magnetically retained cells are eluted as the positively selected cell fraction. Before proceeding to the next cell sample the system is rinsed automatically with the wash program selected. After the last separation of the day autoMACS Instruments must be shut down with a short term or long term storage program.

For more information please refer to the autoMACS Pro Separator user manual.

1.2 Applications

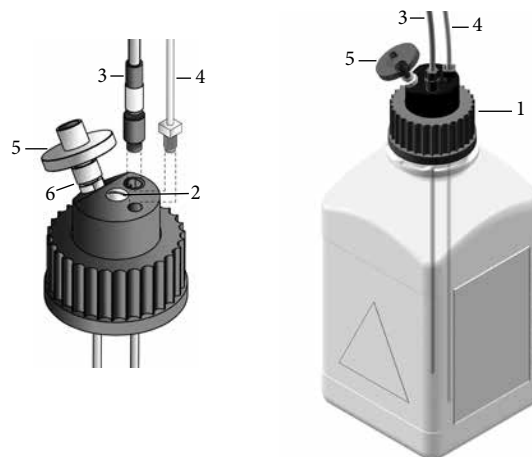
- All autoMACS Pro Programs indicated in the table below.
- Manual cell separations using the MiniMACS™, MidiMACS™, OctoMACS™, QuadroMACS™, VarioMACS™, or SuperMACS™ II Cell Separation System.
- Sample preparation and washing steps.

2. How to connect

The three different autoMACS Buffers – the autoMACS Running Buffer, the autoMACS Pro Washing Solution, and the storage (cleaning) solution – are directly connected with the autoMACS Pro Separator’s fluidic system by color-coded bottle closures (1, for more information refer also the respective user manual). The screw (2), the fluid sensor cable connector (3), and the tubing connector (4) of the Running Buffer’s bottle closure are color-coded blue.

To connect a bottle of autoMACS Running Buffer screw the bottle closure with the blue color-code onto the buffer bottle.

▲ **Note:** The bottle closures are autoclavable. To autoclave unplug the fluid sensor cable (3), and unscrew the tubing connector (4) from the bottle closure. Discard the hydrophobic air filters (5). Take care not to remove the luer-to-thread air filter connector (6) from the bottle closure.



3. Volumes required

The following table indicates the buffer as well as the bleach consumption during the different autoMACS Pro Separator programs:

Program	Volumes used [mL]			
	Running Buffer	Washing Solution	Storage solution	Bleach Solution
Qrinse	55	–	–	–
Clean	55	110	55	–
Rinse	55	110	–	–
Sleep	–	110	55	–
Store	–	110	110	–
Safe	120	120	15	40
Col_ex	105	105	–	–

All protocols and data sheets are available at www.miltenyibiotec.com.

Warranty

The products sold hereunder are warranted only to be free from defects in workmanship and material at the time of delivery to the customer. Miltenyi Biotec GmbH makes no warranty or representation, either expressed or implied, with respect to the fitness of a product for a particular purpose. There are no warranties, expressed or implied, which extend beyond the technical specifications of the products. Miltenyi Biotec GmbH's liability is limited to either replacement of the products or refund of the purchase price. Miltenyi Biotec GmbH is not liable for any property damage, personal injury or economic loss caused by the product.

autoMACS and MACS are registered trademarks and MidiMACS, MiniMACS, OctoMACS, QuadroMACS, SuperMACS, and VarioMACS are trademarks of Miltenyi Biotec GmbH.

Copyright © 2015 Miltenyi Biotec GmbH. All rights reserved.