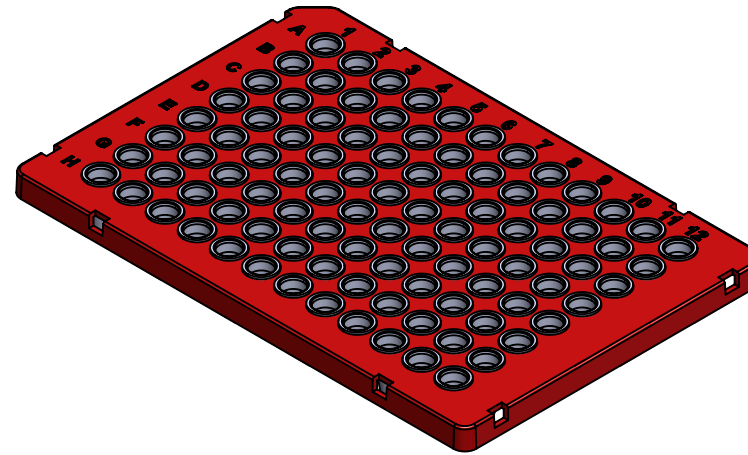


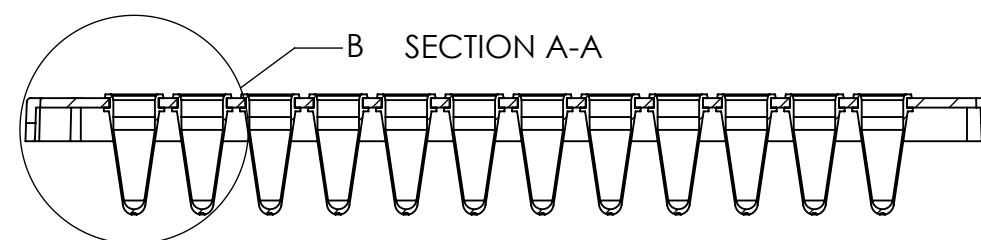
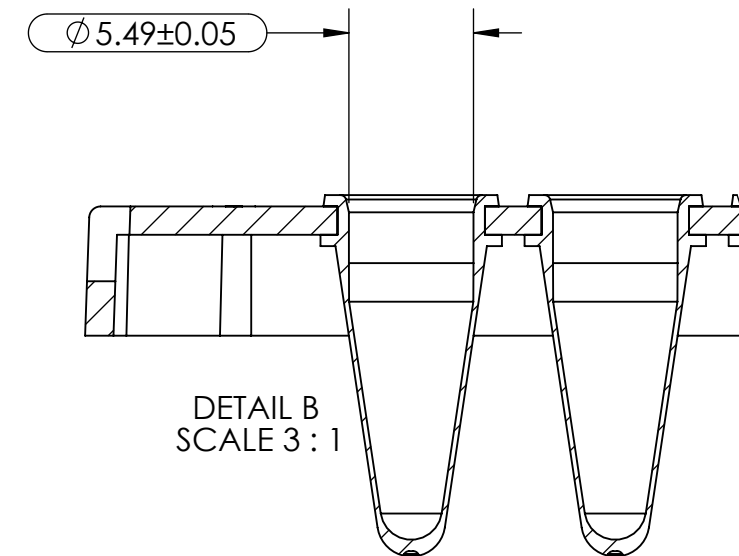
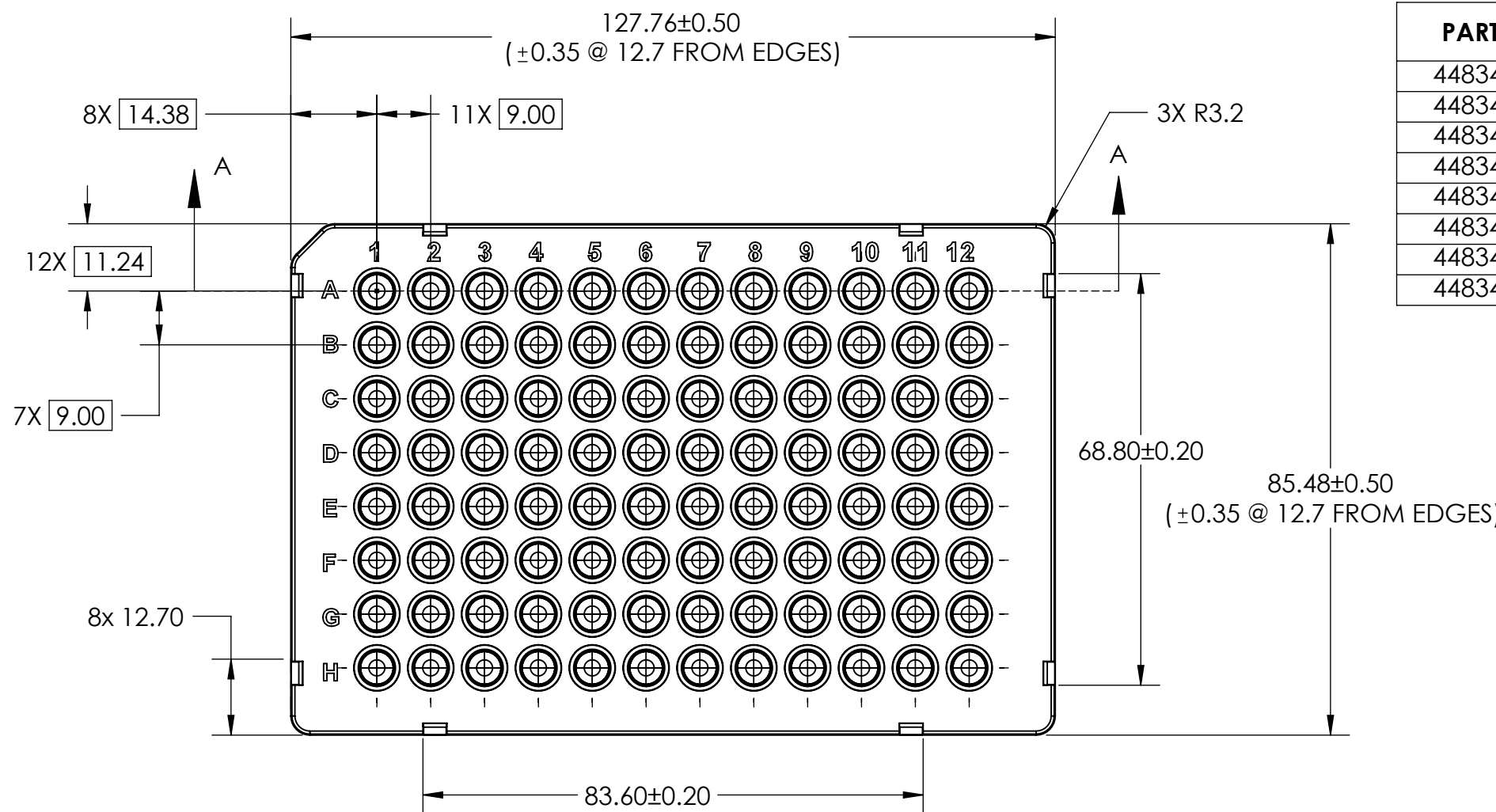
FOR CUSTOMER REFERENCE ONLY

**THIS PRODUCT CONFORMS TO:
ANSI/SBS 1-2004 FOOTPRINT DIMENSIONS
ANSI/SBS 4-2004 WELL POSITIONS**



PRODUCTS

PART #	PLATES / KIT	DESCRIPTION
4483485	20	MicroAmp® EnduraPlate™ Optical 96-Well Fast Clear
4483486	20	MicroAmp® EnduraPlate™ Optical 96-Well Fast Blue
4483487	20	MicroAmp® EnduraPlate™ Optical 96-Well Fast Green
4483492	20	MicroAmp® EnduraPlate™ Optical 96-Well Fast Red
4483495	20	MicroAmp® EnduraPlate™ Optical 96-Well Fast Yellow
4483493	5	MicroAmp® EnduraPlate™ Optical 96-Well Fast Multicolor
4483494	500	MicroAmp® EnduraPlate™ Optical 96-Well Fast Clear
4483496	500	MicroAmp® EnduraPlate™ Optical 96-Well Fast Multicolor



COMMENTS:
© 2011 Life Technologies Corporation. All Rights Reserved. These drawings and specifications are the property of Life Technologies Corporation and are issued in strict confidence and shall not be reproduced, copied, or used as the basis for manufacture or sale of, or any unauthorized purposes related to, the matter depicted herein, without the prior written consent of Life Technologies Corporation.

UNLESS OTHERWISE SPECIFIED DIMENSIONS AND TOLERANCES ARE IN MILLIMETERS AND PER ASME Y14.5. TOLERANCES ARE: ANGLES $\pm .5^\circ$ X. $\pm .5$ X.X $\pm .25$ X.XX $\pm .13$ X.XXX $\pm .05$		MATERIAL WELLS: POLYPROPYLEN SHELL: POLYCARBONATE
FINISH SEE NOTES	DRAWN S. JAFFE	DATE 30 NOV 11
REFERENCED 3D FILE REVISION A-11	CHECKED CS LIM	DATE 21 MAY 12
AGILE NUMBER	QUALITY	DATE
METRIC	DOC. CONTROL	DATE

life technologies™

DESCRIPTION
MICROPLATE, 96-WELL-FAST, ENDURAPLATE

SIZE B	SCALE 1:1	PART NUMBER 4473713	REV A-11
-----------	--------------	------------------------	-------------

DO NOT SCALE DRAWING 3RD ANGLE SHEET 3 OF 3

E SIZE 1ST BLOCK REV-A-01