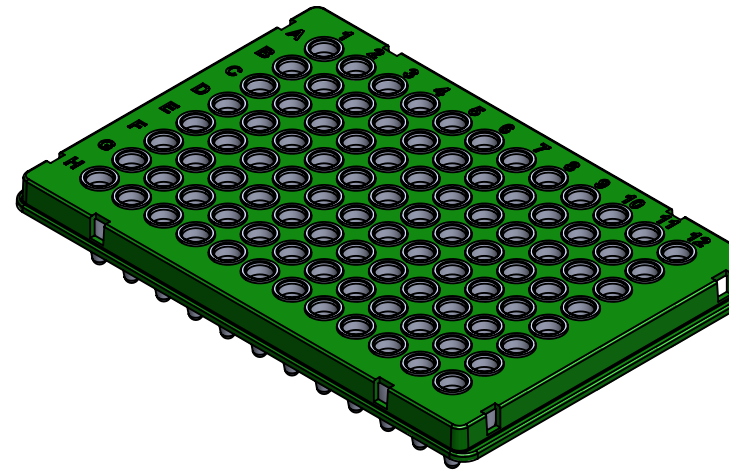


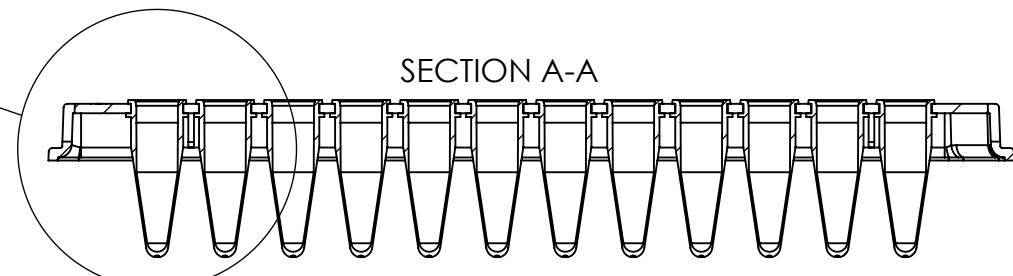
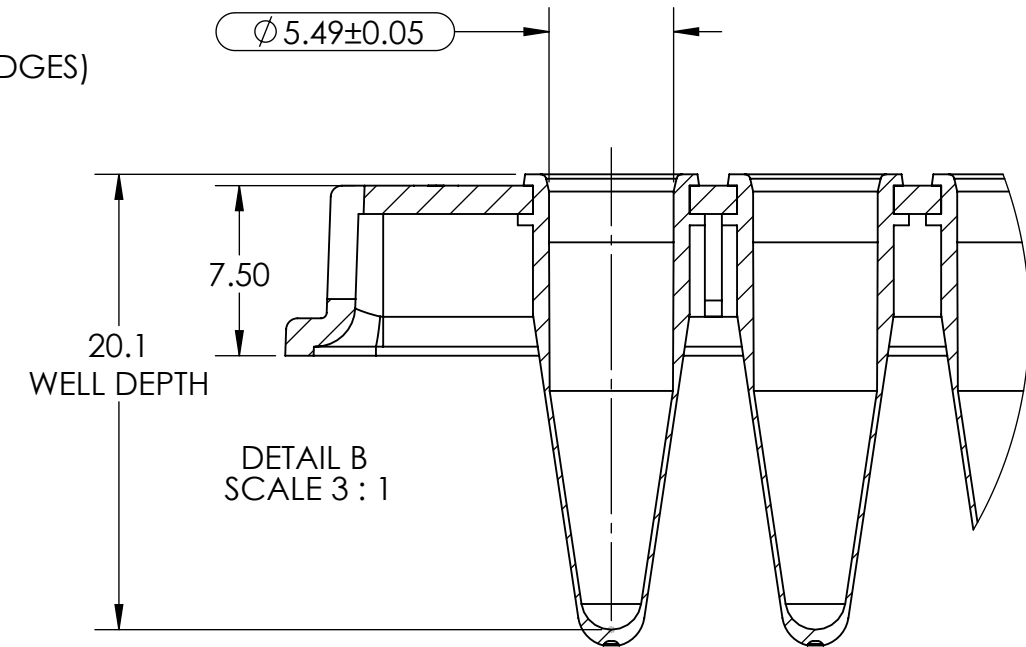
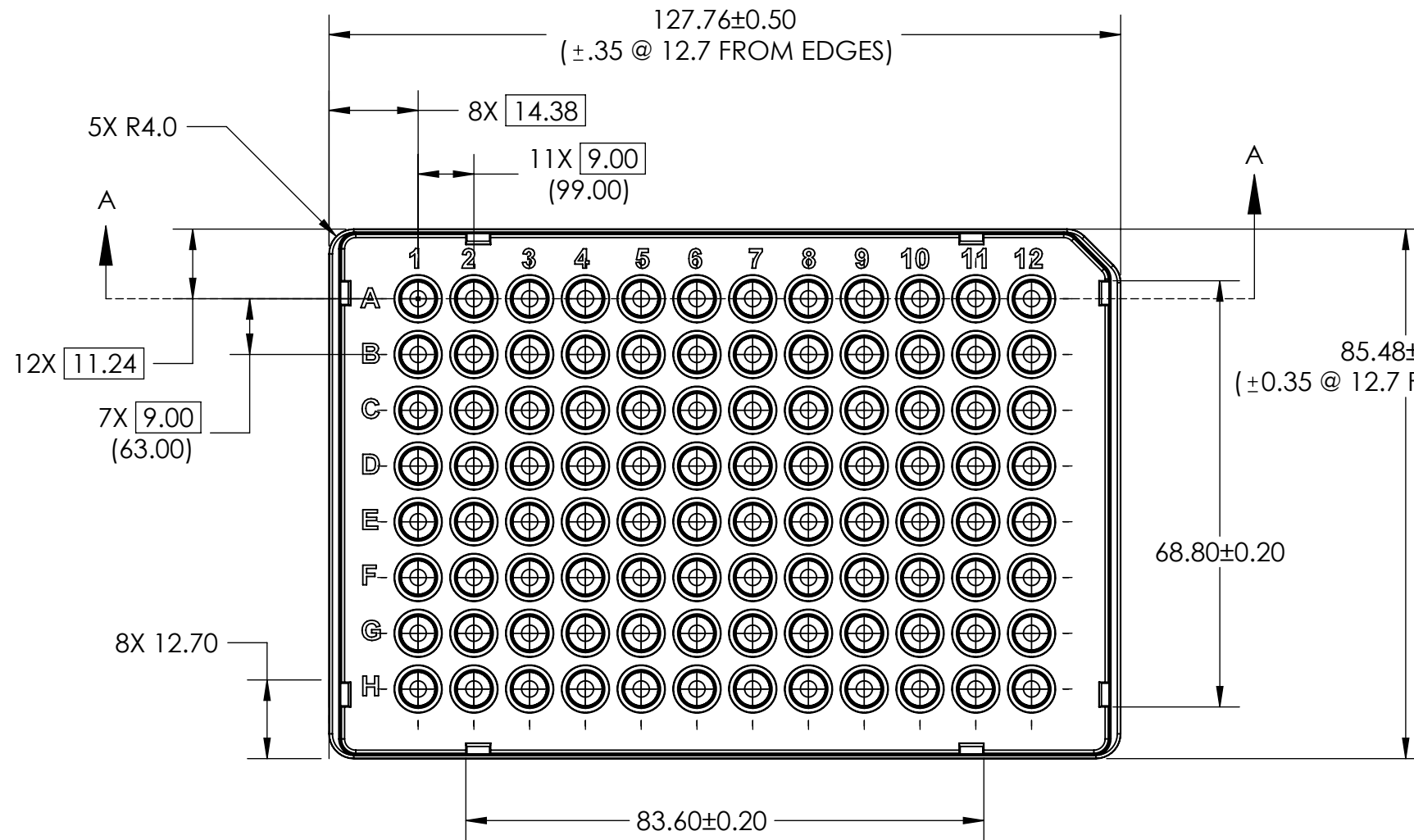
FOR CUSTOMER REFERENCE ONLY

**THIS PRODUCT CONFORMS TO:
ANSI/SBS 1-2004 FOOTPRINT DIMENSIONS
ANSI/SBS 4-2004 WELL POSITIONS**



PRODUCTS

PART #	PLATES / KIT	DESCRIPTION
4483354	20	MicroAmp® EnduraPlate™ Optical 96-Well Clear
4483343	20	MicroAmp® EnduraPlate™ Optical 96-Well Blue
4483349	20	MicroAmp® EnduraPlate™ Optical 96-Well Green
4483350	20	MicroAmp® EnduraPlate™ Optical 96-Well Red
4483395	20	MicroAmp® EnduraPlate™ Optical 96-Well Yellow
4483355	5	MicroAmp® EnduraPlate™ Optical 96-Well Multicolor
4483352	500	MicroAmp® EnduraPlate™ Optical 96-Well Clear
4483356	500	MicroAmp® EnduraPlate™ Optical 96-Well Multicolor



COMMENTS:
© 2011 Life Technologies Corporation. All Rights Reserved. These drawings and specifications are the property of Life Technologies Corporation and are issued in strict confidence and shall not be reproduced, copied, or used as the basis for manufacture or sale of, or any unauthorized purposes related to, the matter depicted herein, without the prior written consent of Life Technologies Corporation.

UNLESS OTHERWISE SPECIFIED DIMENSIONS AND TOLERANCES ARE IN MILLIMETERS AND PER ASME Y14.5. TOLERANCES ARE: ANGLES ±.5° X. ±.5 X.X ±.25 X.XX ±.13 X.XXX ±.05		MATERIAL WELLS: POLYPROPYLENE SHELL: POLYCARBONATE
FINISH SEE NOTE 8	DRAWN S. JAFFE	DATE 30 NOV 11
REFERENCED 3D FILE REVISION A-09	CHECKED CS LIM	DATE 21 MAY 12
AGILE NUMBER	QUALITY	DATE
METRIC	DOC. CONTROL	DATE

life technologies™

DESCRIPTION
MICROPLATE, 96 WELL, ENDURAPLATE

SIZE B	SCALE 1:1	PART NUMBER 4473712	REV A-09
-----------	--------------	------------------------	-------------

DO NOT SCALE DRAWING 3RD ANGLE SHEET 3 OF 3

E SIZE 1ST BLOCK REV-A-01