

DynaMag™-Spin
DynaMag™-2
DynaMag™-5
DynaMag™-15
DynaMag™-50
SampleRack (for DynaMag™-2)
SampleRack (for DynaMag™-5)

Catalog nos. 12301D, 12302D,
12303D, 12304D, 12320D, 12321D,
12322D

Store at ambient temperature

Rev. Date: May 2012 (Rev. 005)

Product Description

With DynaMag™ magnets you can separate Dynabeads® from diverse liquid sample matrices. Dynabeads® can be used to isolate cells, proteins, nucleic acids or other biomolecules.

Mix the Dynabeads® product with your sample in a suitable tube. The Dynabeads® usually bind to the target biomolecules within a few minutes. When a magnetic field is applied to the tube, the bead-bound biomolecules are gently drawn and retained on the tube wall, allowing you to easily remove the supernatant. When the magnetic field is removed, the Dynabeads® can easily be dispersed, showing no residual magnetism. These magnets can be used with all types of Dynabeads®.

With the strongest magnetic material available on the market and great functionalities, the DynaMag™ magnets out-perform all other magnetic separators, providing faster, more efficient magnetic separation.

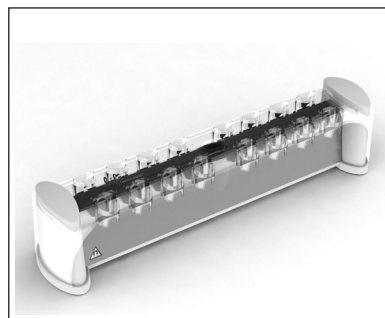
See www.lifetechnologies.com/magnets for the full magnet range. DynaMag™ magnets contain aluminum or plastic housing incorporating high energy neodymium magnets.



DynaMag™-Spin

Cat. no. 12320D

- Holds: 6 × standard 1.5 mL microcentrifuge tubes.
- Working volume: 10–1000 µL.
- This magnet is small, easy to handle, and enables efficient magnetic separation in applications using small volumes, e.g. isolation of nucleic acids or proteins using Dynabeads® products.
- The circular top rack has numbered spaces (1 to 6) for easy control of your samples and can be quickly removed from the magnet base to facilitate vortexing and resuspension.



DynaMag™-2

Cat. no. 12321D

- Holds: 16 standard 1.5 mL or 2 mL microcentrifuge tubes.
 - Working volume: 10–1500 µL.
 - This magnet is small, easy to handle, and enables efficient magnetic separation in applications using small volumes, e.g. isolation of nucleic acids or proteins using Dynabeads® products. The SampleRack can take up to 16 samples at the same time, and has numbered spaces (1 to 8 on one side and 9 to 16 on the opposite side) for easy control of your samples. The SampleRack design ensures good visibility of your samples. Finally, the SampleRack can be quickly removed from the magnet to allow for washing and vortexing without removing the tubes from the SampleRack during the isolation process.
- Note:** The SampleRack (for DynaMag™-2) can be purchased separately.



DynaMag™-5

Cat. no. 12303D

- Holds: 8 standard flow tubes and most blood collection tubes.
 - Working volume: 1–5 mL
 - This magnet is small, easy to handle, and ensures efficient separation of 8 cell samples at a time. Due to the flexible clips, the magnet can accommodate tube sizes ranging from 11–16 mm in diameter. The SampleRack has numbered spaces (1 to 8) for easy control of your samples and the magnetic design ensures good visibility of your samples. Finally, the SampleRack can be easily removed from the magnet to allow for washing and vortexing without removing the tubes from the SampleRack during the isolation process.
- Note:** The SampleRack (for DynaMag™-5) can be purchased separately.
- Note:** This magnet is not recommended to use with 15 mL tubes.

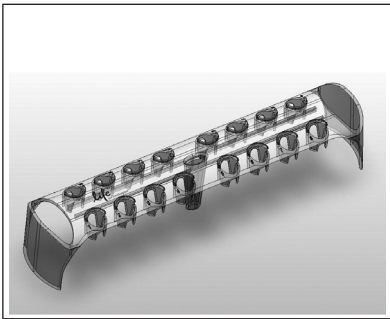


DynaMag™-15

Cat. no. 12301D

- Holds: 4 × standard 15 mL tubes.
- Working volume: ~4–15 mL.
- This magnet can be rotated by 360 degrees, giving you the flexibility to tilt the magnet for better visual control and optimal ergonomic handling. Tilting the magnet during separation will help you collect any bead-bound cells that might be left in the tube lid. Once tilted, the magnet remains in position until adjusted. To increase pipetting efficiency, we recommend slowly turning the tubes back and forth while the tube is still in the magnet to concentrate the beads on the tube wall. With a strong magnetic field, this magnet gives quick and efficient cell separation from viscous samples such as whole blood.

Accessories



SampleRack (for DynaMag™-2)

Cat. no. 12322D

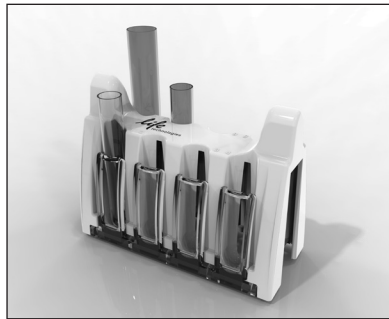
- Holds: 16 standard 1.5 mL or 2 mL microcentrifuge tubes.
- Working volume: 10–1500 µL.
- This SampleRack is the same as supplied with the DynaMag™-2, but can also be purchased separately if there are multiple users of the DynaMag™-2 magnet or when handling many samples at a time.



DynaMag™-50

Cat. no. 12302D

- Holds: 2 × standard 50 mL tubes.
- Working volume: 10–50 mL.
- This magnet can be rotated by 360 degrees, giving you the flexibility to tilt the magnet for better visual control and optimal ergonomic handling. Tilting the magnet during separation will help you collect any bead-bound cells that might be left in the tube lid. Once tilted, the magnet remains in position until adjusted. When using this magnet with the smallest 1 µM Dynabeads®, the time on magnet should be increased to at least 10 minutes to make sure the beads are sufficiently collected on the magnet prior to removing the supernatant.



SampleRack (for DynaMag™-5)

Cat. no. 12304D

- Holds: 8 standard flow tubes and most blood collection tubes.
- Working volume: 1–5 mL.
- This SampleRack is the same as supplied with the DynaMag™-5, but can also be purchased separately if there are multiple users of the DynaMag™-5 magnet or when handling many samples at a time.

Precautions

These magnets contain very strong permanent magnets. People wearing a pacemaker or any other medical magnetized implant should not use this product unless advised by a health professional; the implant could be affected or damaged by exposure to a strong magnetic field. Keep tools and objects that could be damaged by the magnetic field out of the working area. This includes, but is not restricted to, credit cards and other products containing magnetic recording devices. Keep away from delicate instruments, watches, electronic equipment, displays and monitors. The magnet may attract steel or other magnetic material with high mechanical forces. Take care during handling. Avoid contact between two magnets. Do not pull the magnets apart if contact has been made; twist off to prevent damage to the unit or fingers.

The Health and Safety Officer should take all necessary steps and full responsibility to ensure that the precautions and statements are followed and adhered to.

Cleaning and Disinfection

The following materials are recommended for cleaning purposes. Spray and/or wipe the DynaMag™ units either with 70% isopropyl alcohol, or 1% sodium hypochlorite solution (bleach). Do not submerge in aqueous solutions and avoid prolonged exposure to water or aqueous solutions. Clean with a damp cloth and mild detergent when exposed to harsh solvents. **Note: Do not autoclave the DynaMag™ magnets.**

Storage and Stability

The magnets contain high-energy Neodymium permanent magnets, and the magnetic strength will not diminish significantly during the lifetime of the product. Do not use the magnets above 50°C (122°F) and store in a cool, dry environment. The SampleRacks can be stored with tubes for a limited time at temperatures as low as -20°C, but should be brought back to room temperature prior to use. Avoid prolonged exposure of the magnets to direct sunlight or artificial UV light as the surface material may become brittle.

Limited Use Label License

The purchase of this product conveys to the purchaser the limited, nontransferable right to use the purchased amount of the product only to perform internal research for the sole benefit of the purchaser. No right to resell this product or any of its components is conveyed expressly, by implication, or by estoppel. This product is for internal research purposes only and is not for use in commercial applications of any kind, including, without limitation, quality control and commercial services such as reporting the results of purchaser's activities for a fee or other form of consideration. For information on obtaining additional rights, please contact outlicensing@lifetech.com or Out Licensing, Life Technologies, 5791 Van Allen Way, Carlsbad, California 92008.

Manufactured by Life Technologies AS, Norway. Life Technologies AS complies with the Quality System Standards ISO 9001:2008 and ISO 13485:2003.

Limited Product Warranty

Life Technologies Corporation and/or its affiliate(s) warrant their products as set forth in the Life Technologies' General Terms and Conditions of Sale found on Life Technologies' website at www.lifetechnologies.com/termsandconditions. If you have any questions, please contact Life Technologies at www.lifetechnologies.com/support.

SPEC-06190

©2012 Life Technologies Corporation. All rights reserved. The trademarks mentioned herein are the property of Life Technologies Corporation and/or its affiliate(s) or their respective owners. LIFE TECHNOLOGIES CORPORATION AND/OR ITS AFFILIATE(S) DISCLAIM ALL WARRANTIES WITH RESPECT TO THIS DOCUMENT, EXPRESSED OR IMPLIED, INCLUDING BUT NOT LIMITED TO THOSE OF MERCHANTABILITY OR FITNESS FOR A PARTICULAR PURPOSE OR NON-INFRINGEMENT. TO THE EXTENT ALLOWED BY LAW, IN NO EVENT SHALL LIFE TECHNOLOGIES AND/OR ITS AFFILIATE(S) BE LIABLE, WHETHER IN CONTRACT, TORT, WARRANTY, OR UNDER ANY STATUTE OR ON ANY OTHER BASIS FOR SPECIAL, INCIDENTAL, INDIRECT, PUNITIVE, MULTIPLE OR CONSEQUENTIAL DAMAGES IN CONNECTION WITH OR ARISING FROM THIS DOCUMENT, INCLUDING BUT NOT LIMITED TO THE USE THEREOF.

For support visit www.lifetechnologies.com/support or email techsupport@lifetech.com

www.lifetechnologies.com

life
technologies™