

NOT TO SCALE

80.90 REF.

80.40 REF.

63.00 ±0.25

8.47 ±0.25

9.00

4.50

8.47 ±0.25

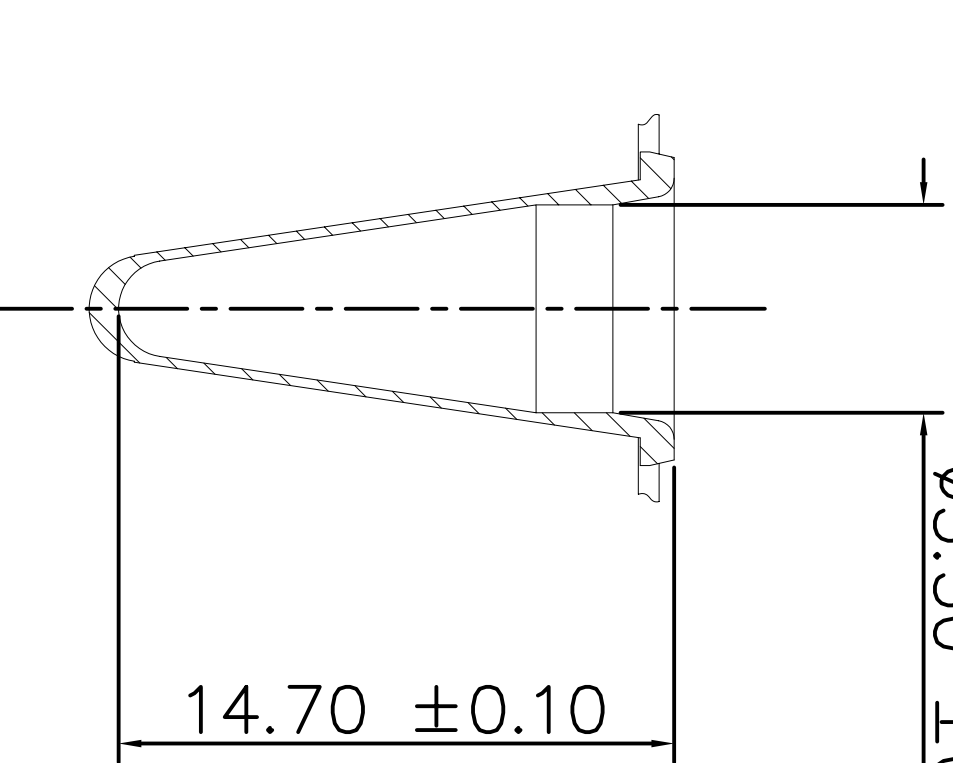
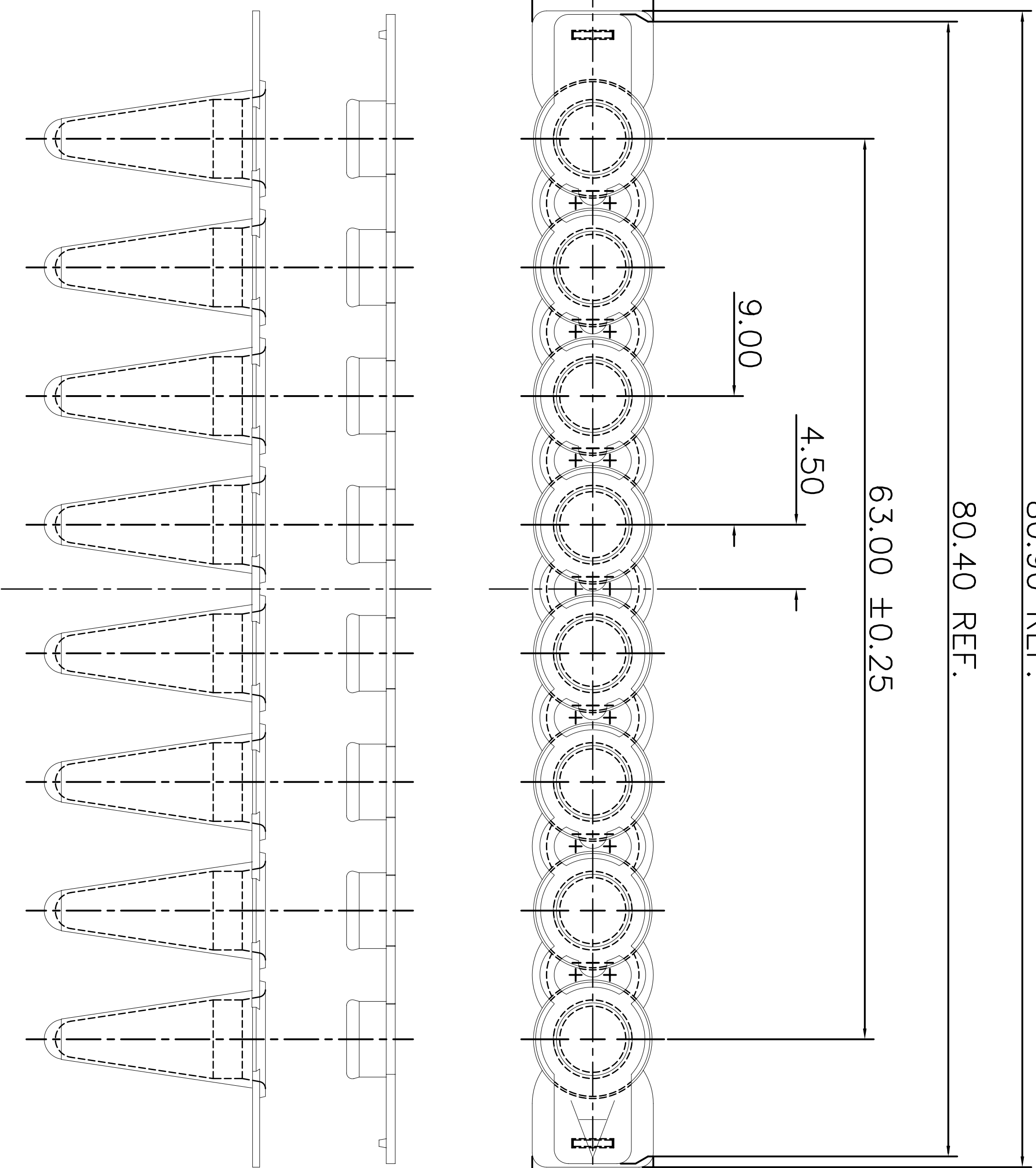
CAP DETAIL 8pos

3.40  
REF.

Ø4.63 REF.

Ø5.50 ±0.10

14.70 ±0.10



VIAL FORM 8pos

Copyright Thermo Fisher Scientific  
This drawing and/or any technical information relating to it is issued in strict confidence and may not be reproduced or used for manufacture without written permission. Upon receipt of which it is the users responsibility to seek confirmation of any dimensions and production tolerances.

TITLE  
Strip of 8 Low Profile Tubes and  
Ultra Clear Caps (short version)

DRG. NO.	ISSUE	DATE
AB-1770	ORIGINAL	1/12/11

All dimensions in mm