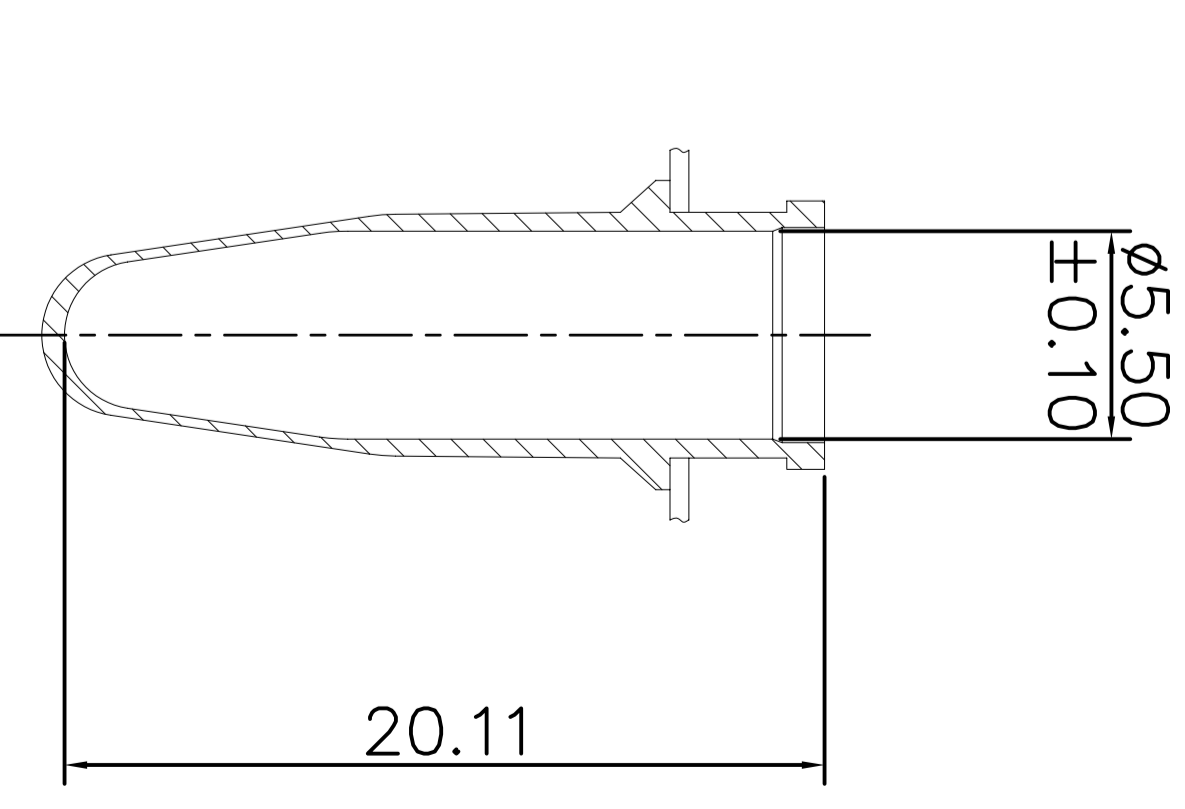
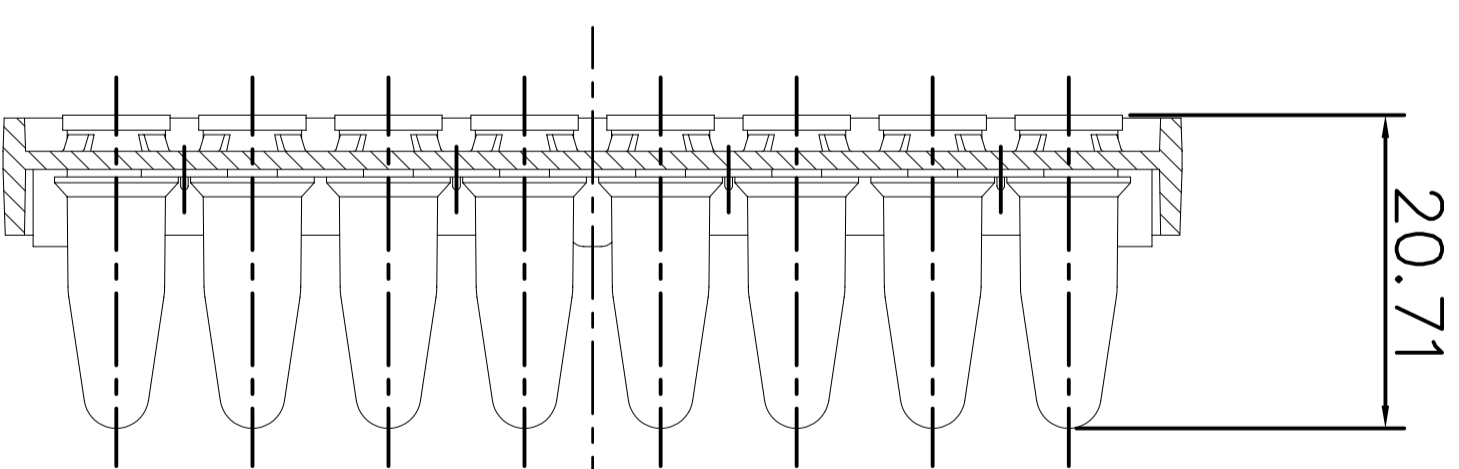
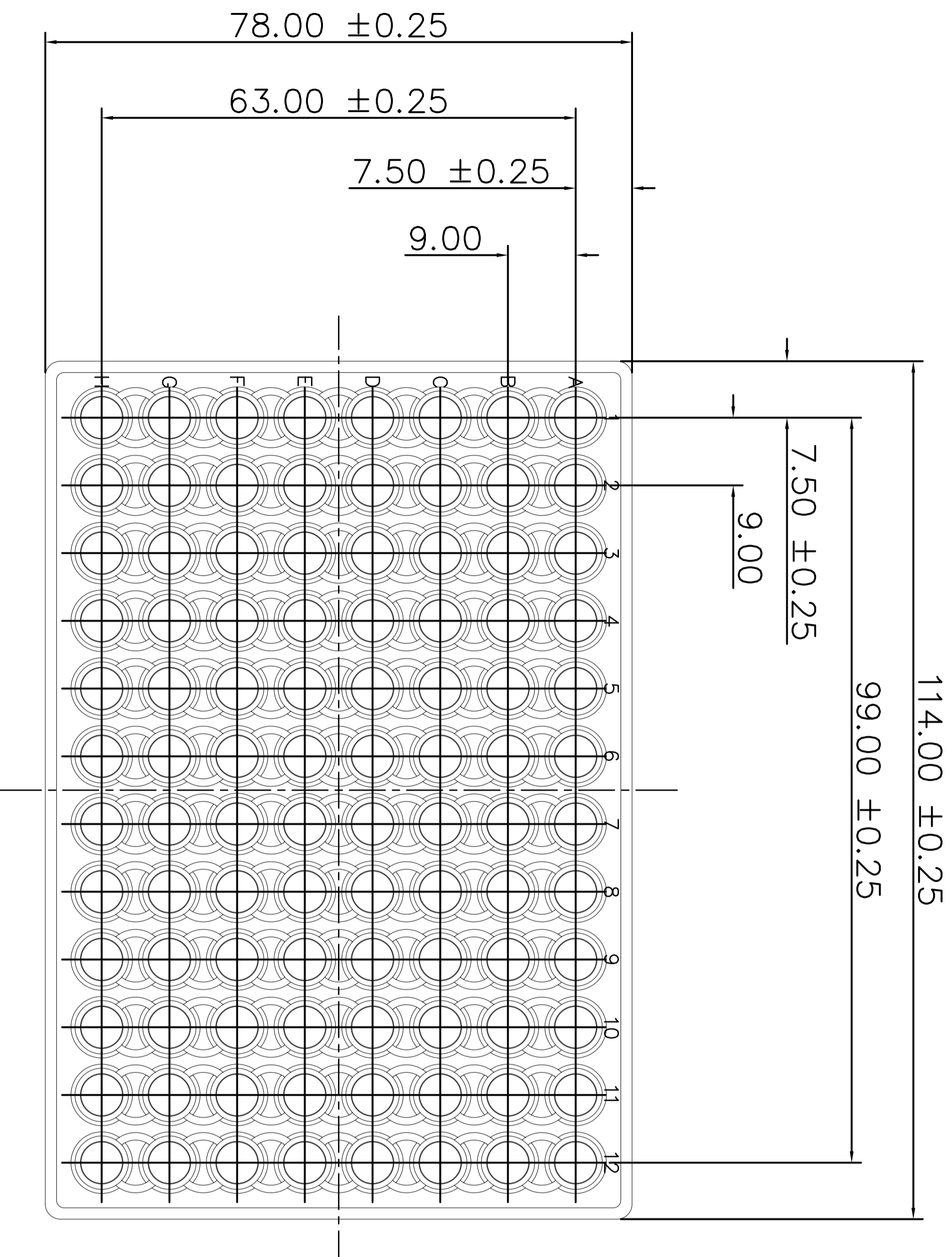


NOT TO SCALE

Copyright Thermo Fisher Scientific
This drawing and/or any technical information relating to it is issued in strict confidence and may not be reproduced or used for manufacture without written permission. Upon receipt of which it is the users responsibility to seek confirmation of any dimensions and production tolerances.



TITLE

Omni- Tube Plate

DRG. NO.

AB-0407

ISSUE

ORIGINAL

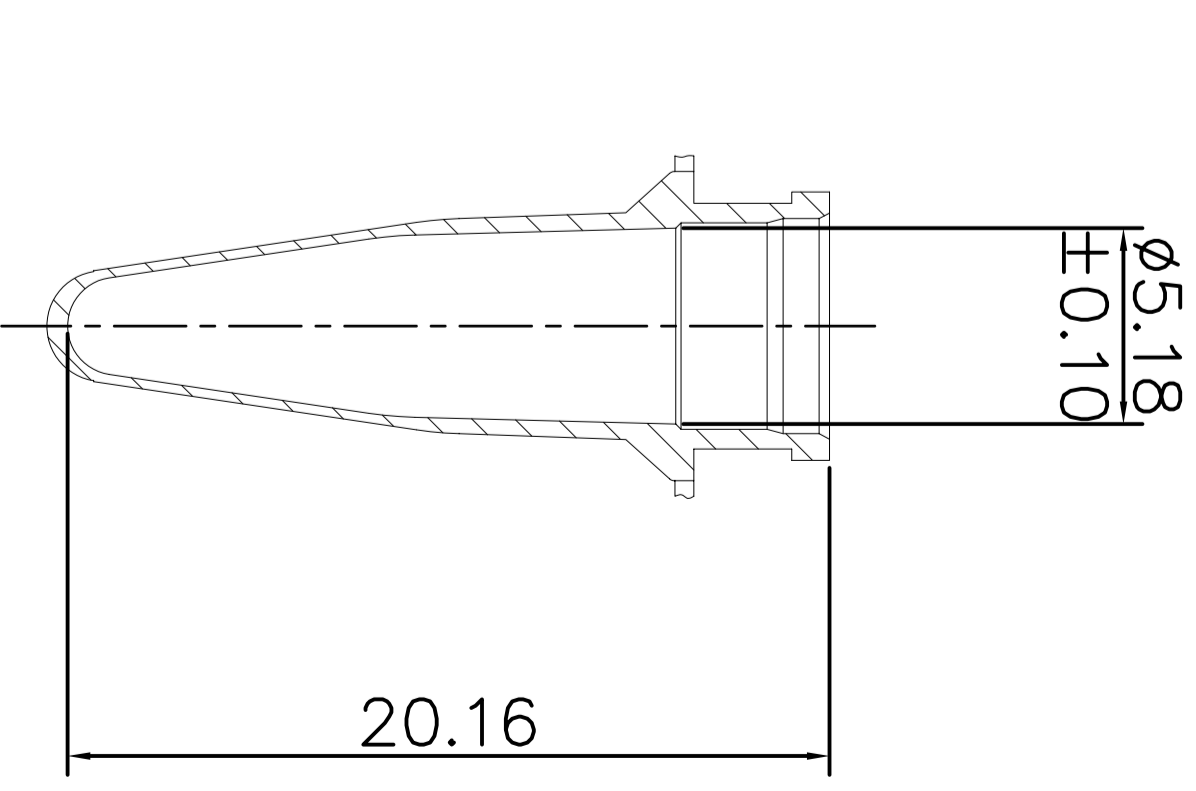
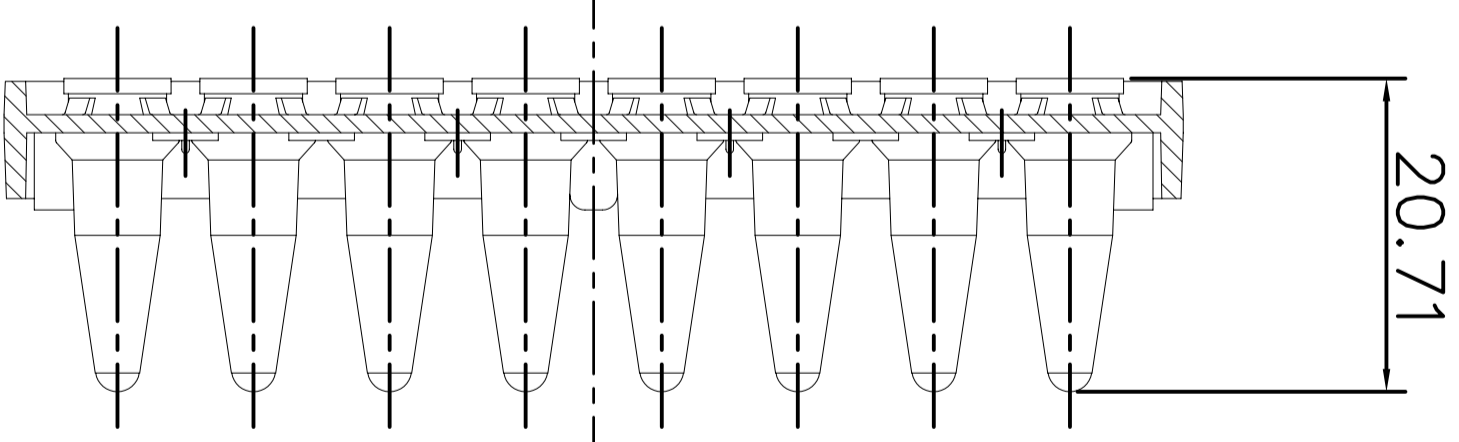
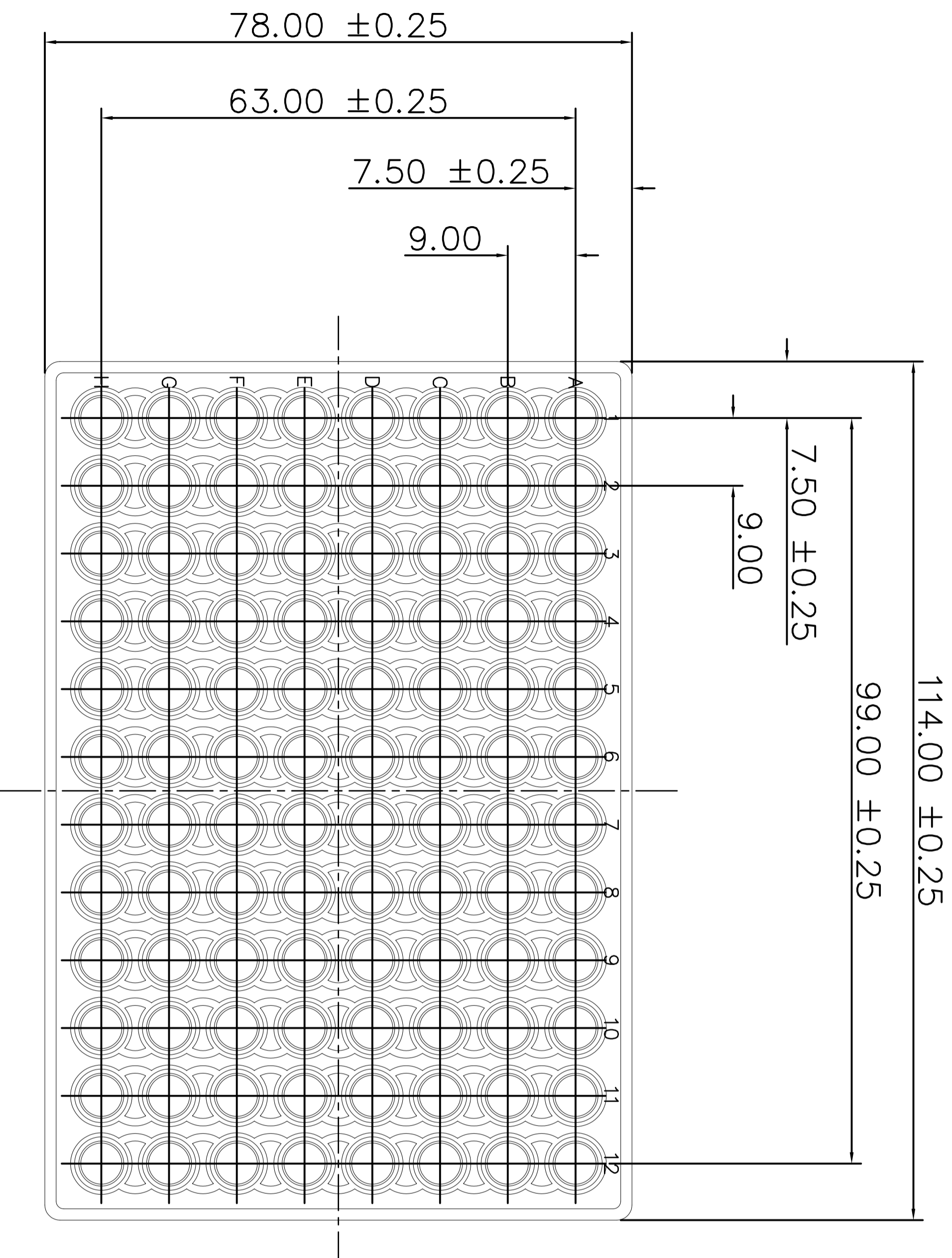
DATE

3/9/09

All dimensions in mm

NOT TO SCALE

Copyright Thermo Fisher Scientific
This drawing and/or any technical information relating to it is issued in strict confidence and may not be reproduced or used for manufacture without written permission. Upon receipt of which it is the users responsibility to seek confirmation of any dimensions and production tolerances.



SECTION ON
CENTRE LINE

VIAL DETAIL 96pos

All dimensions in mm

| TITLE | | |
|-------------------|----------|--------|
| Thermo-Tube Plate | | |
| DRG. NO. | ISSUE | DATE |
| AB-0731 | ORIGINAL | 3/9/09 |