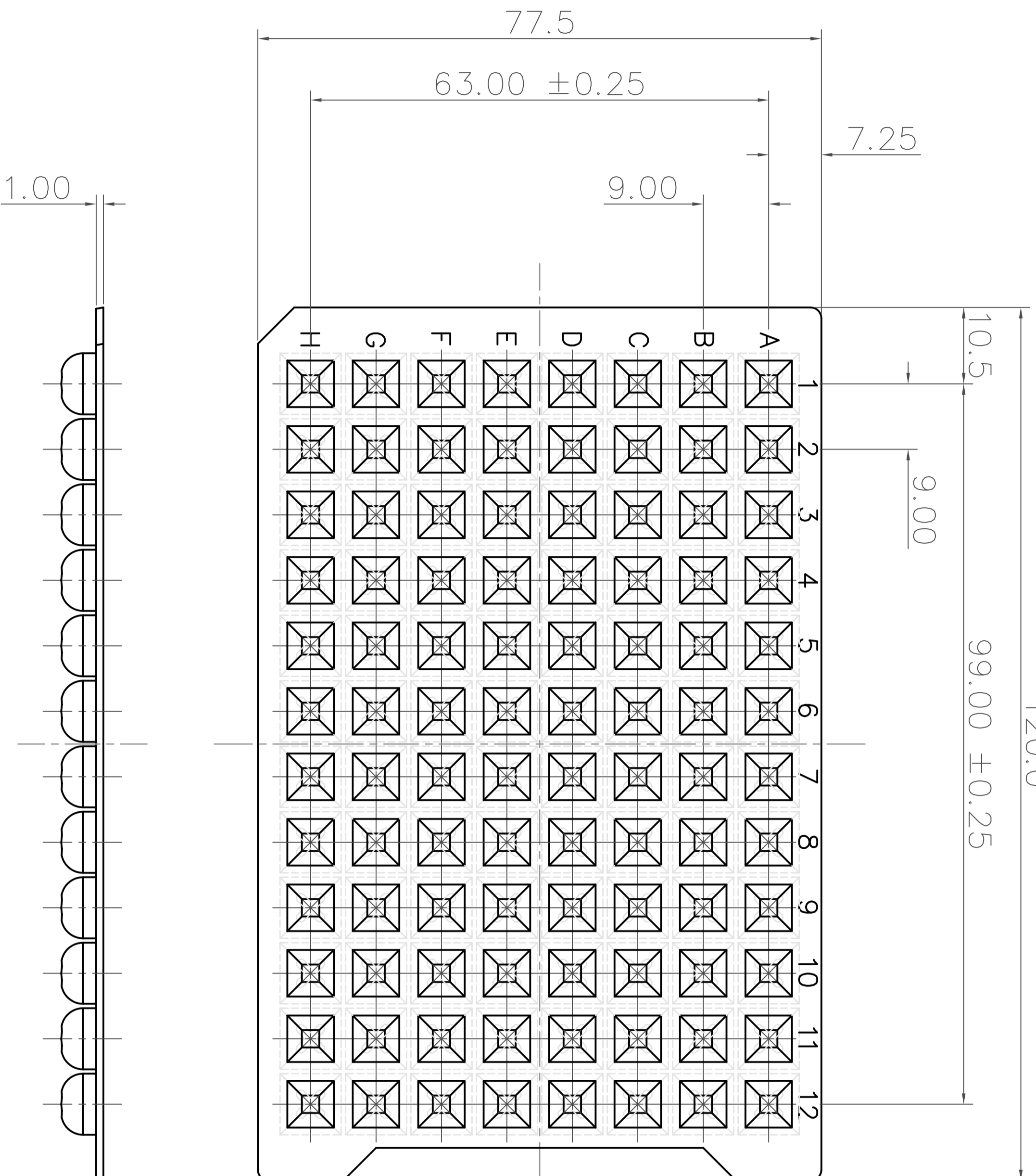
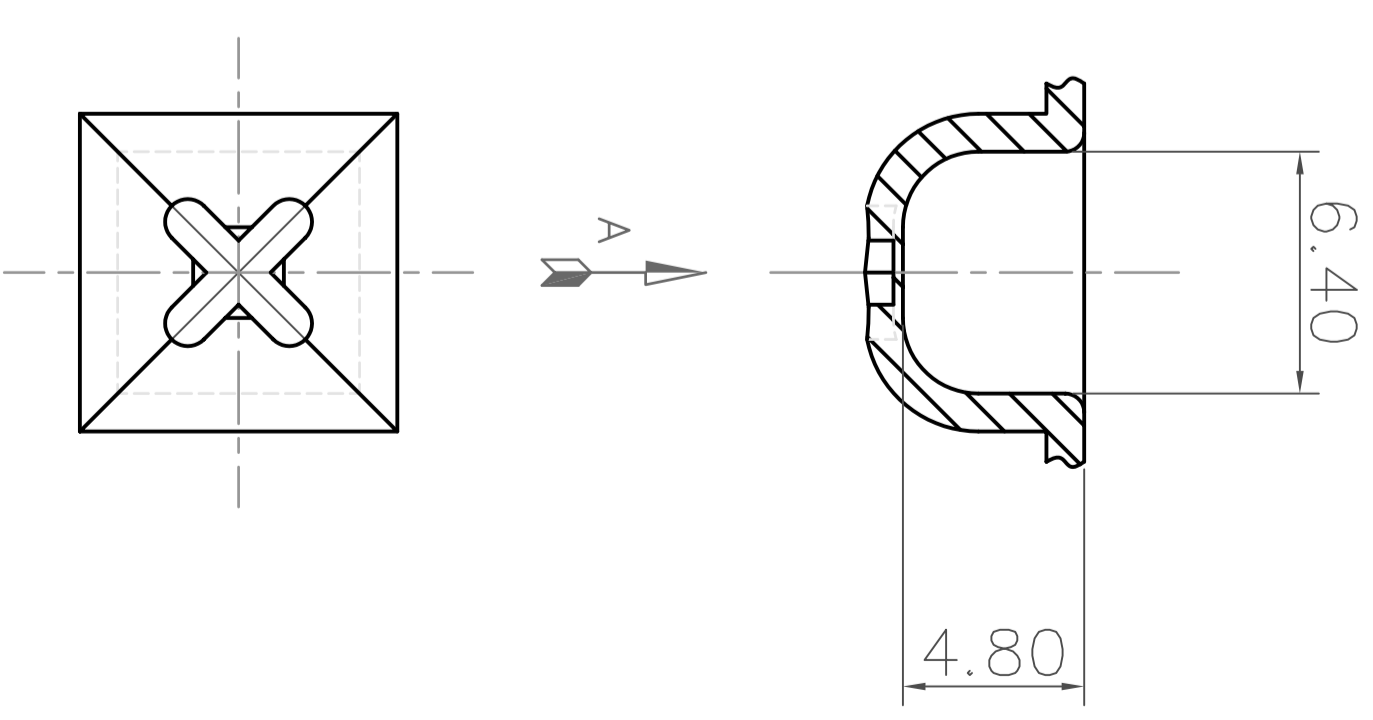


NOT TO SCALE

Copyright ABgene®
This drawing and/or any technical information relating to it is issued in strict confidence and may not be reproduced or used for manufacture without written permission. Upon receipt of which it is the users responsibility to seek confirmation of any dimensions and production tolerances.



SEALING FORM



VIEW ON ARROW 'A'

All dimensions in mm

TITLE		
Square Cap Sealing Mat (pierceable, non-autoclavable)		
DRG. NO.	ISSUE	DATE
AB-0662	ORIGINAL	2/3/06