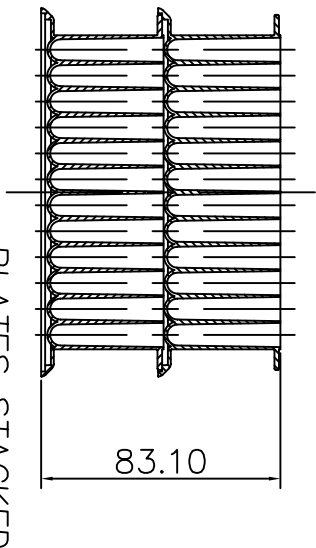
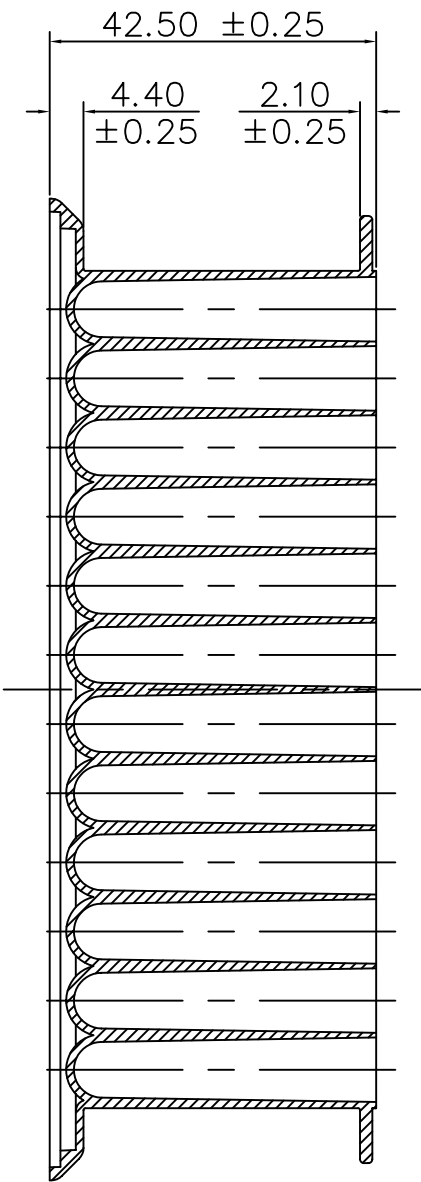
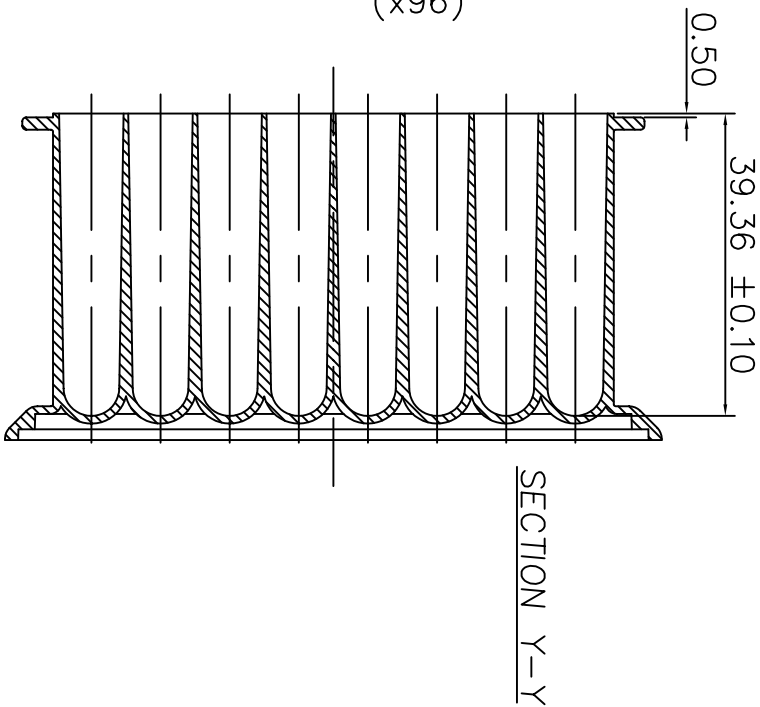
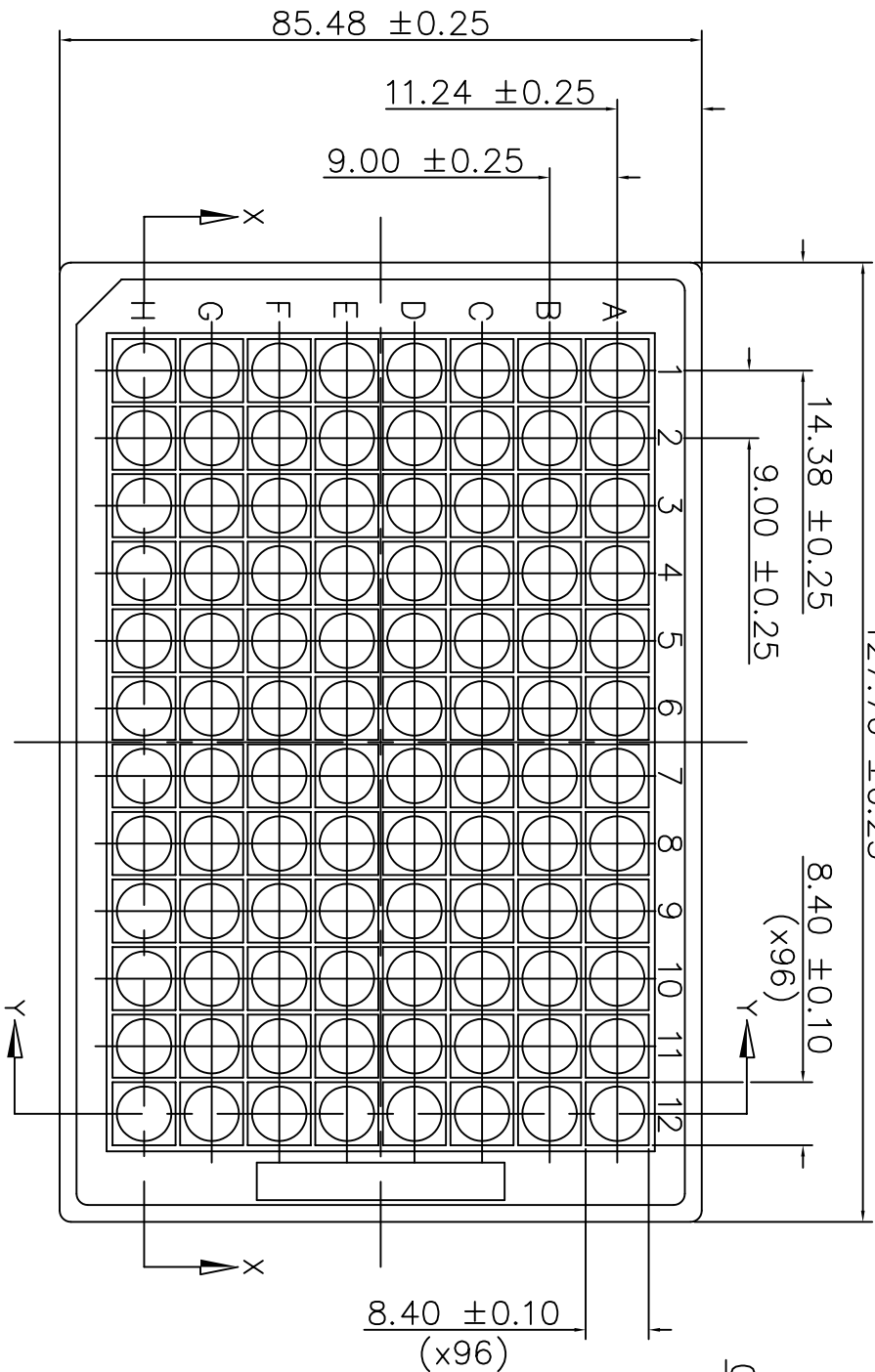


NOT TO SCALE

Copyright ABgene®
 This drawing and/or any technical information relating to it is issued in strict confidence and may not be reproduced or used for manufacture without written permission. Upon receipt of which it is the users responsibility to seek confirmation of any dimensions and production tolerances.



All dimensions in mm

SECTION X-X

SECTION Y-Y

TITLE

2.2ml Storage Plate

DRG. NO.

AB-0661

ISSUE

ORIGINAL

DATE

20/5/02