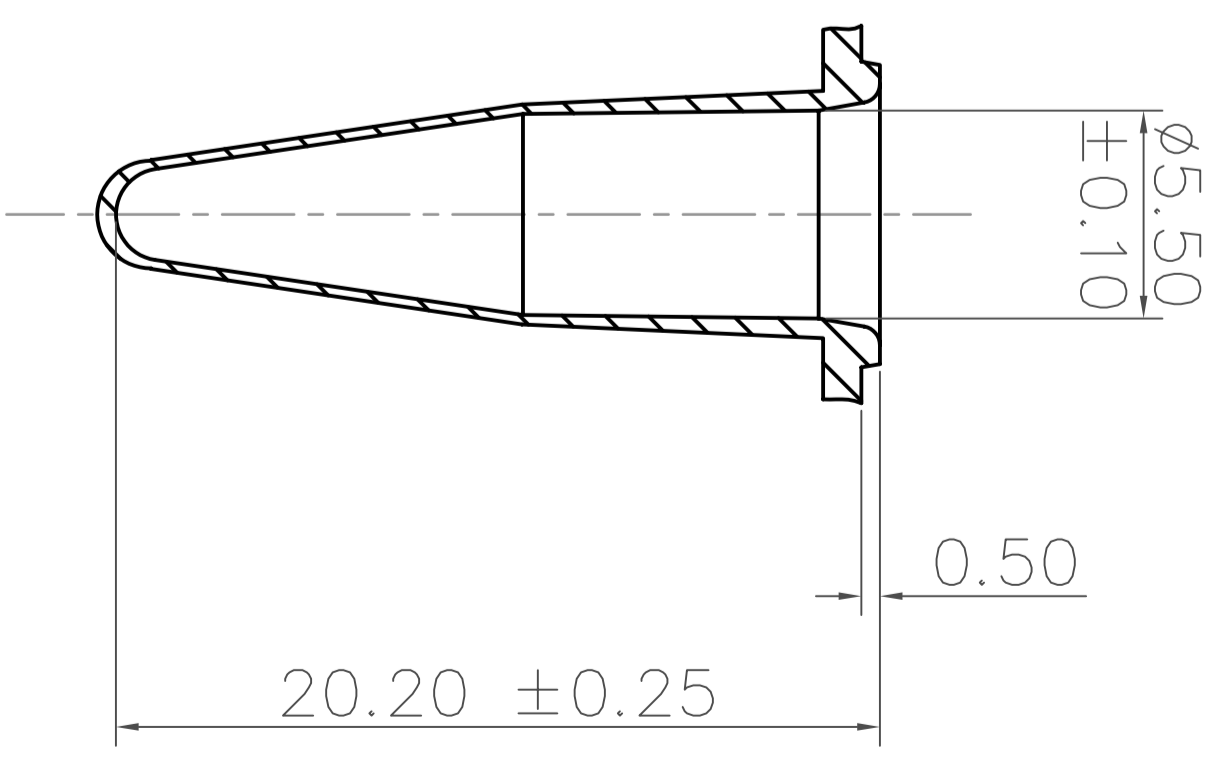
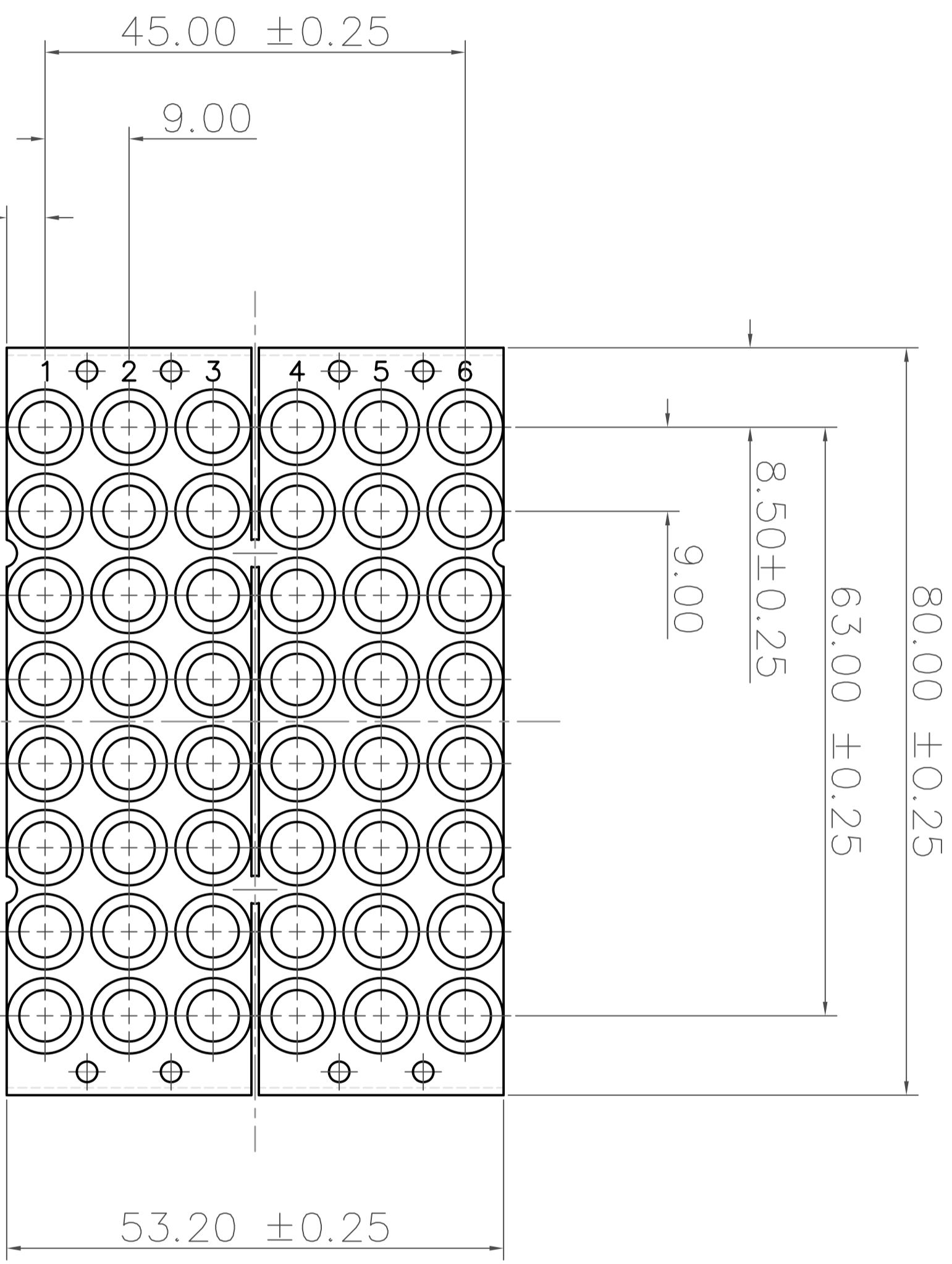
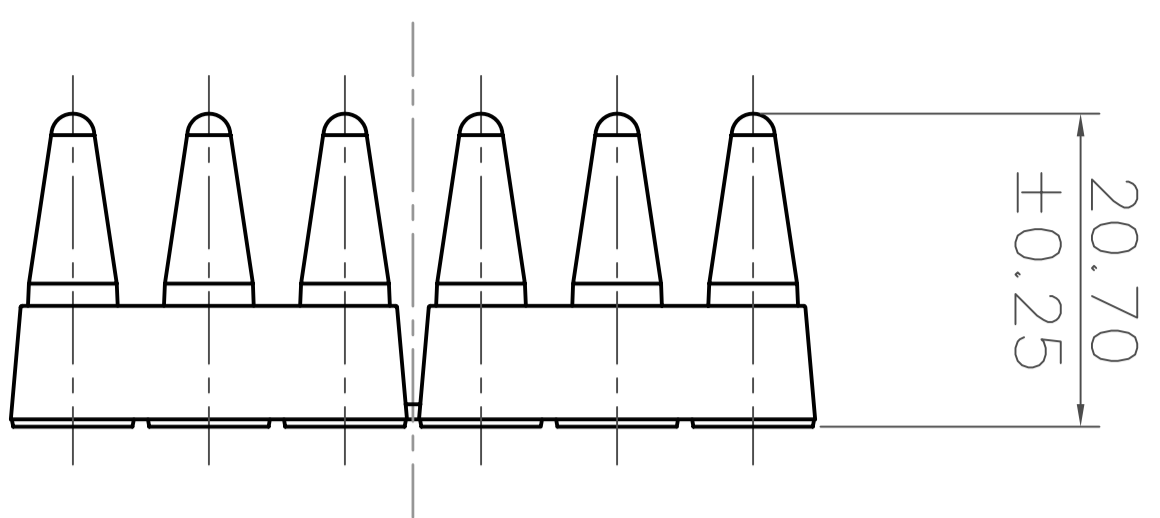
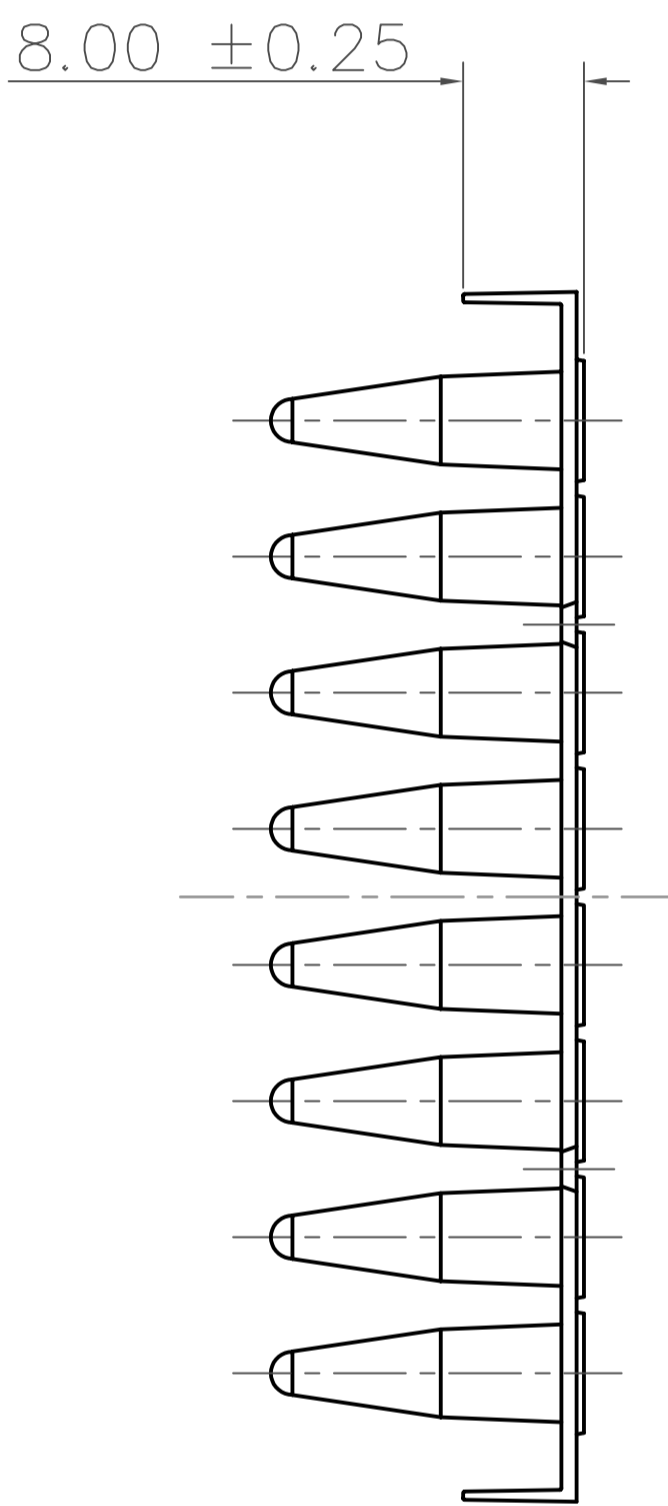


NOT TO SCALE

Copyright ABgene®
This drawing and/or any technical information relating to it is issued in strict confidence and may not be reproduced or used for manufacture without written permission. Upon receipt of which it is the users responsibility to seek confirmation of any dimensions and production tolerances.



VIAL FORM 24pos



TITLE
Thermo-Fast® 48 PCR Plate

DRG. NO. AB-0648
ISSUE ORIGINAL
DATE 27/2/06

All dimensions in mm