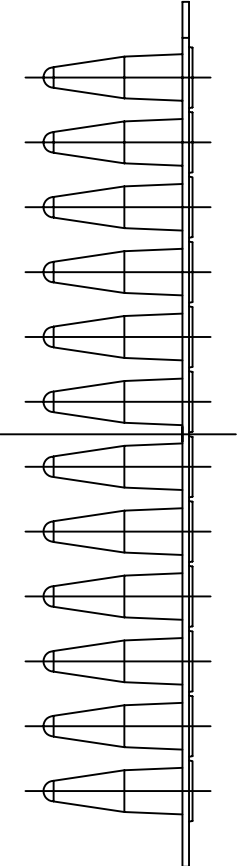
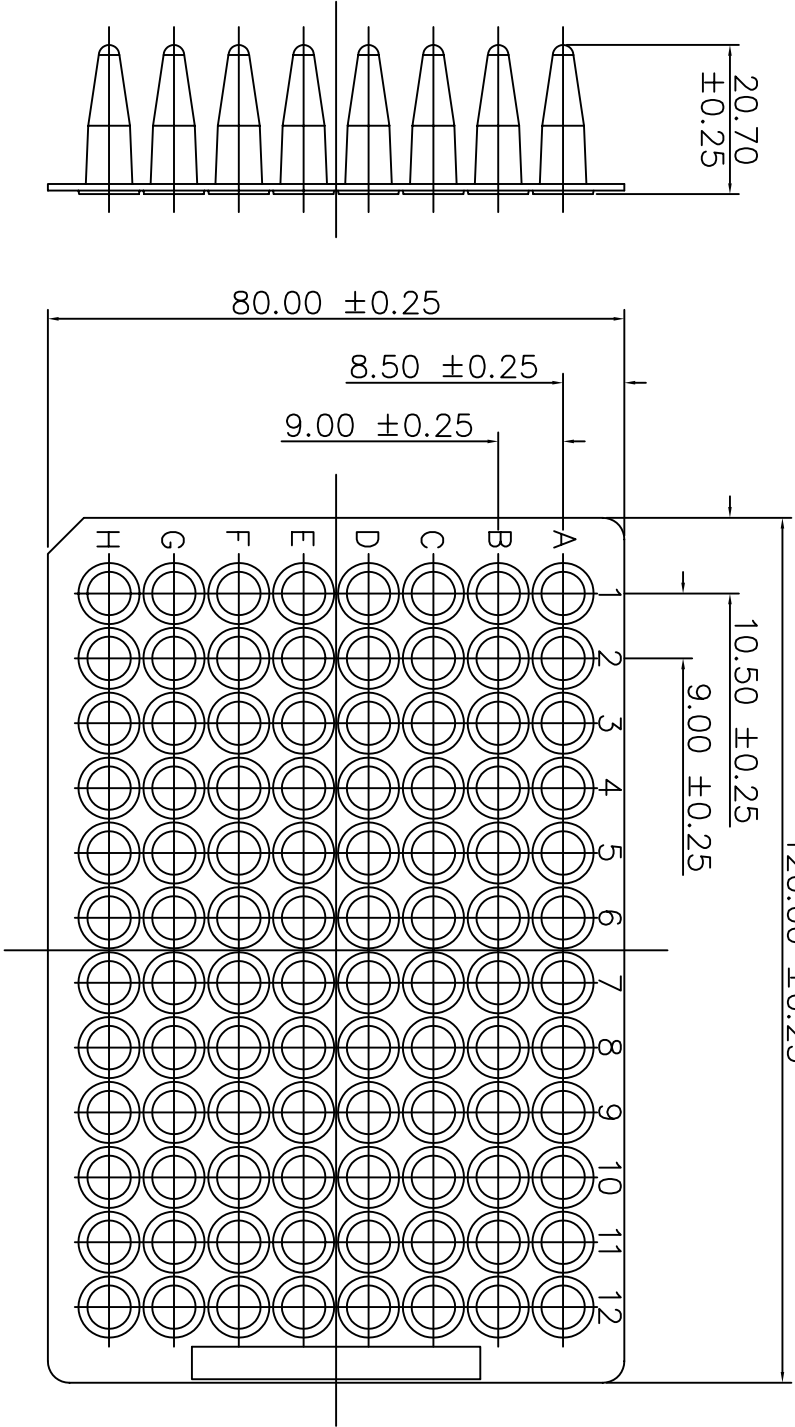
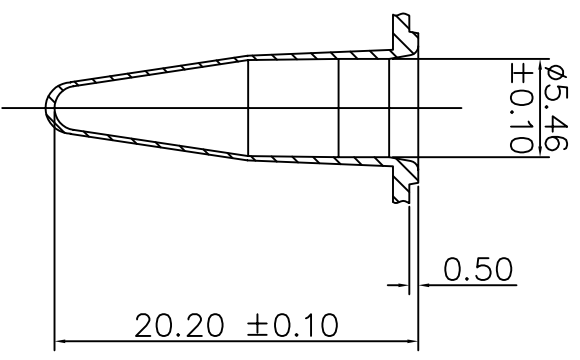


NOT TO SCALE

120.00 ±0.25



Copyright ABgene®  
This drawing and/or any technical information relating to it is issued in strict confidence and may not be reproduced or used for manufacture without written permission. Upon receipt of which it is the users responsibility to seek confirmation of any dimensions and production tolerances.



VIAL FORM 96pos

All dimensions in mm

TITLE		
Thermo-Fast® 96 PCR Plate		
Non-Skirted		
DRG. NO.	ISSUE	DATE
AB-0600	B	9/4/00