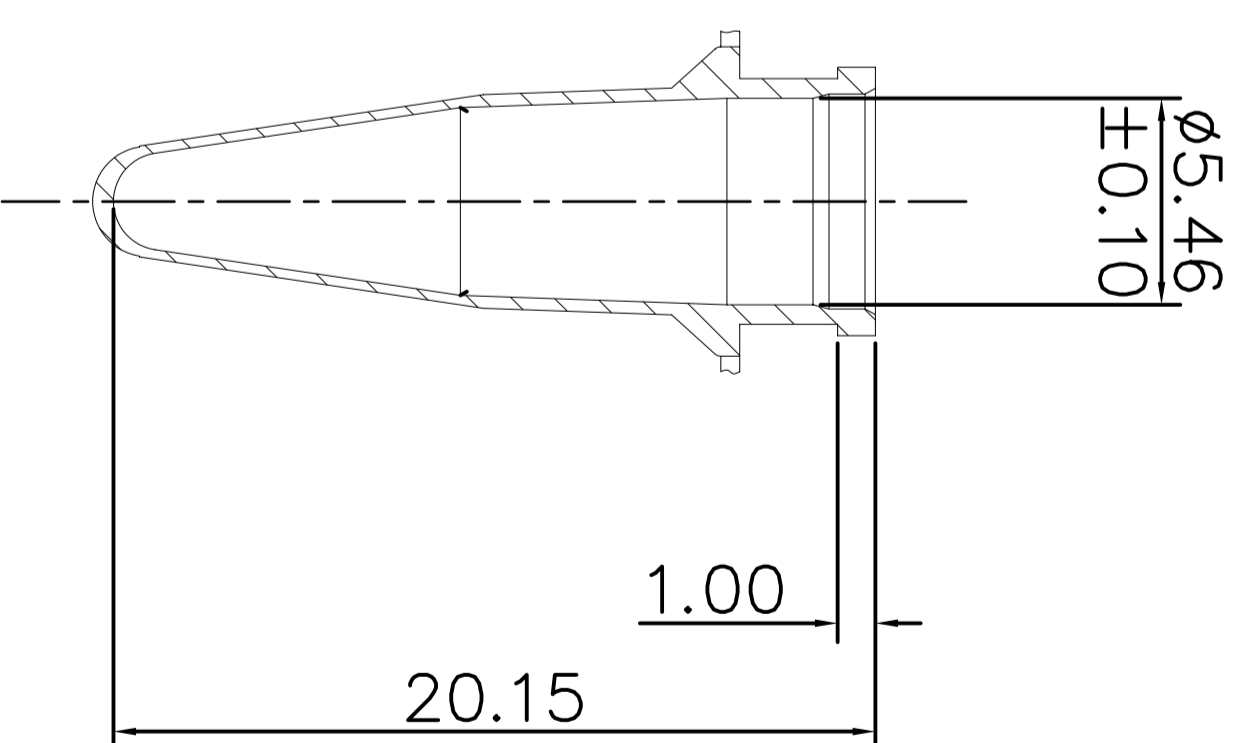
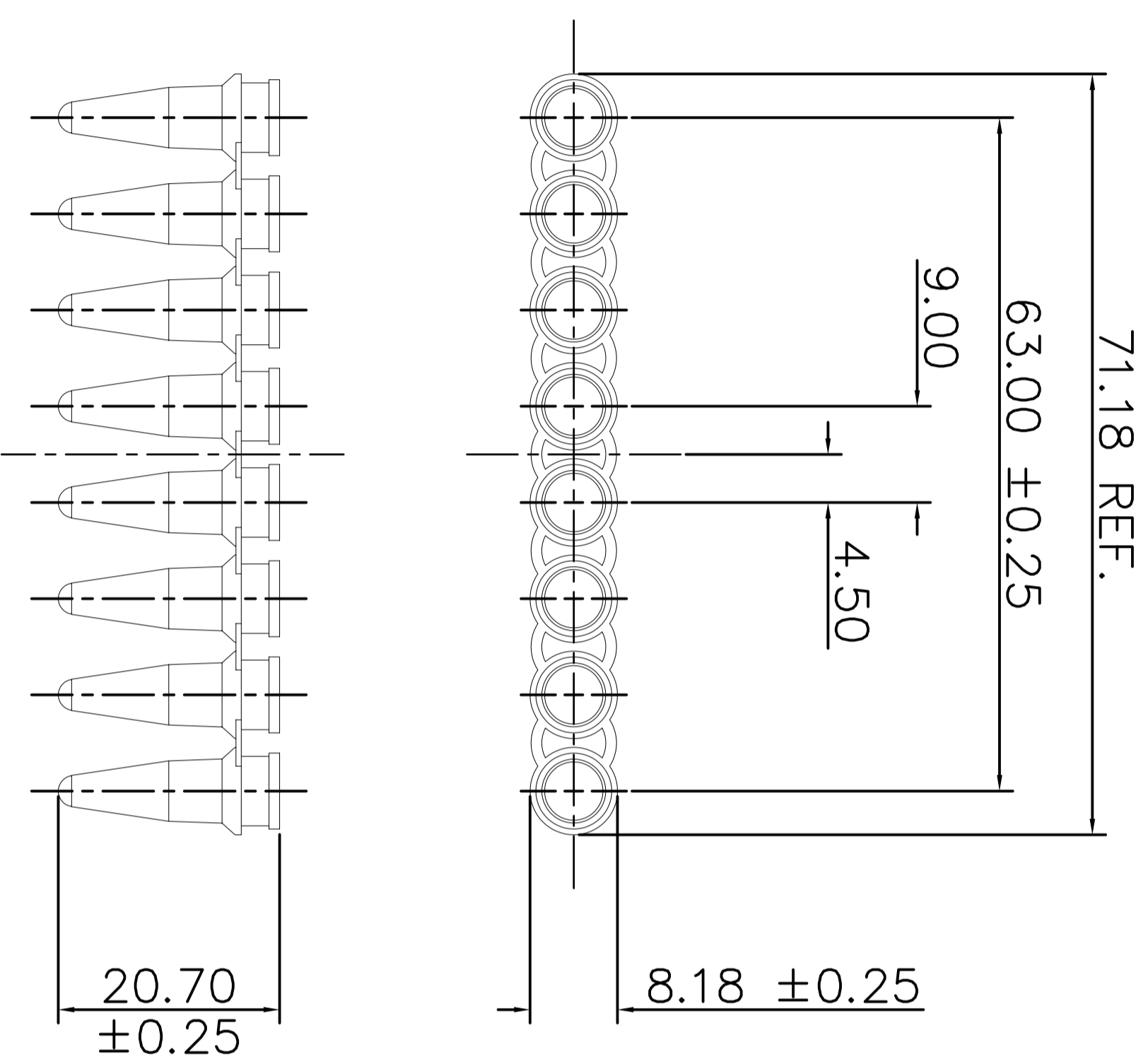


NOT TO SCALE

Copyright ABgene®
This drawing and/or any technical information relating to it is issued in strict confidence and may not be reproduced or used for manufacture without written permission. Upon receipt of which it is the users responsibility to seek confirmation of any dimensions and production tolerances.



VIAL FORM 8pos

TITLE

Strip of 8 Thermo-Tubes

DRG. NO.

AB-0264

ISSUE

ORIGINAL

DATE

12/3/07

All dimensions in mm