

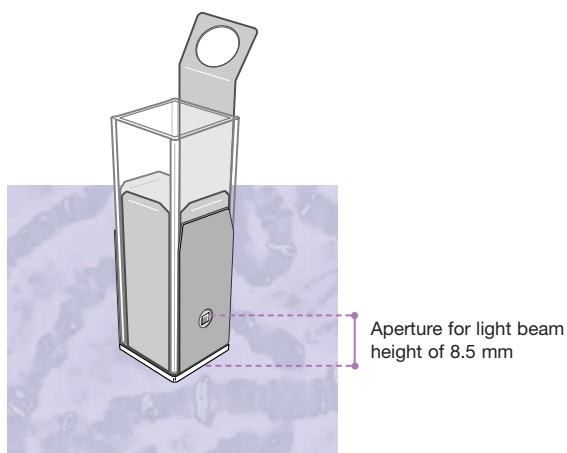
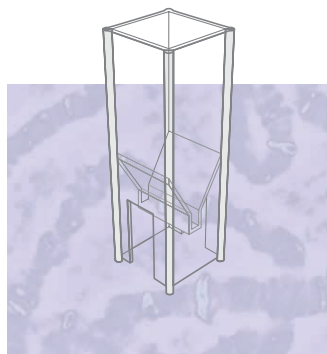
Expand your spectrum – UVette®

Adapter for UVette

Analysis – Reliable and fast!

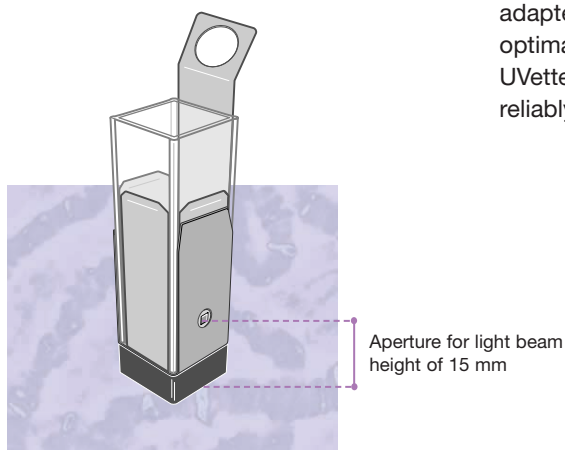
- As the first UV-permeable plastic cuvette, the UVette* has proven itself again and again in the analysis of DNA, RNA and proteins. Individually packaged, DNA, RNase and protein-free, it guarantees contamination-free spectrophotometric analysis from 220 nm – and that even with the smallest volumes of only 50 µl! The UVette can be used in countless spectrophotometers. It is inserted directly into some devices, such as, for example, the Eppendorf BioPhotometer. In other instruments it is used in combination with an appropriate adapter.

*US Patent 6249345



Why is the adapter important?

- Adjustment to light beam height:
Many devices have different light beam heights. The adapter adjusts the UVette to the light beam height of the relevant measuring device.
- Aperture for the light beam:
Optimal measurement results can only be attained when the influence of stray light is excluded. The adapter performs the function of an aperture for optimal guidance of the light beam through the UVette. Even the smallest volume of 50 µl can be reliably measured in this way!



eppendorf
In touch with life

Which adapter for which device

Manufacturer Device	Adapter UVette	
Amersham Biosciences GeneQuant series (exception GeneQuant I and II) GeneQuant I and GeneQuant II Ultrospec series	15 mm ¹⁾ GeneQuant I/II ¹⁾ 15 mm ¹⁾	
Analytik Jena Specord series Spekol series	8.5 mm or 15 mm ¹⁾ 8.5 mm ¹⁾	When using the adjustable cuvette holder for 8.5 or 15 mm light path height ¹⁾ .
Biochrom Libra S21/22 and S32/32 PC	15 mm ¹⁾	
Biorad SmartSpec 3000	8.5 mm ¹⁾	
ElektroGoebel Uvicon series	15 mm ¹⁾	When using the single cell holder. Exception Uvicon 943 and Uvicon XL: when the multi-cell holder 6 x 6 is used, too ¹⁾ .
Eppendorf BioPhotometer	----	No adapter is required.
Hitachi UV/VIS spectrophotometer	UVette Adapter UBA 410-1500 (Hitachi) ¹⁾	Only available in Europe. Please contact your local Hitachi representative.
Jenway Genova	UVette Adapter (Jenway) ¹⁾	Please contact your local Jenway representative.
PerkinElmer Instruments Lambda series (exception: Lambda EZ-series) Lambda EZ 201/210	15 mm ¹⁾ 8.5 mm ¹⁾	When using the micro cell holder ¹⁾ .
Secomam Uvicon Series	15 mm ¹⁾	When using the single cell holder. Exception Uvicon 943 and Uvicon XL: when the multi-cell holder 6 x 6 is used, too ¹⁾ .



Manufacturer Device	Adapter UVette	
Shimadzu UV series	15 mm ¹⁾	When using the standard cell holder ¹⁾ .
Multispec-1500 Biospec series	15 mm ¹⁾ 15 mm ¹⁾	
ThermoSpectronic Biomate 5	15 mm ¹⁾	When using the single cell holder ¹⁾ . When using the single cell holder ¹⁾ .
Helios Serie	15 mm ¹⁾	
Unicam UV/UV1	15 mm ¹⁾	

¹⁾ Recommended by the manufacturer. Eppendorf AG assumes no responsibility for the accuracy and completeness of the manufacturer information. Technical specifications subject to change! September 2003

Ordering information

Article	Order no.
UVette® , 80 original Eppendorf disposables, single sealed cuvettes	0030 106.300
Adapter²⁾ for photometer/spectrophotometer with	
Light center height 8.5 mm	4099 001.009
10 mm	4099 002.005
15 mm	4099 003.001
GeneQuant I/II	4099 004.008
Starterset , 80 UVettes + 1 universal adapter for a 15 mm light center height (including GeneQuant); convertible to 8.5 mm	4099 100.007
Cuvette stand	4308 078.006

²⁾ Additional adapters for light center heights > 8.5 mm available upon request. See website for photometer details. UVette® is a registered trademark.

We would be happy to provide you with additional information. Please contact your dealer or our Application Hotline (application-hotline@eppendorf.de; Tel. +49 180 366 67 89).

eppendorf
In touch with life